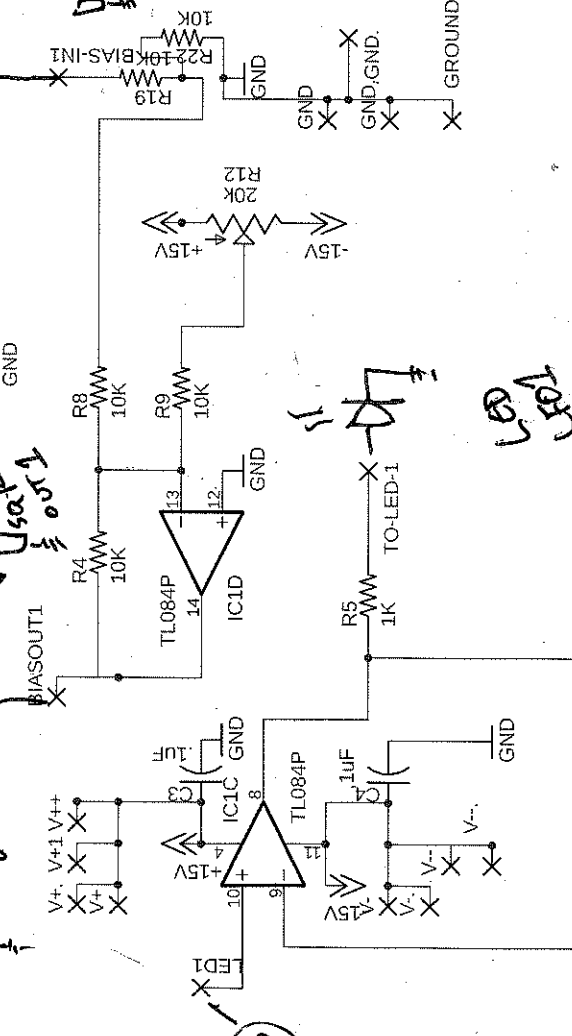
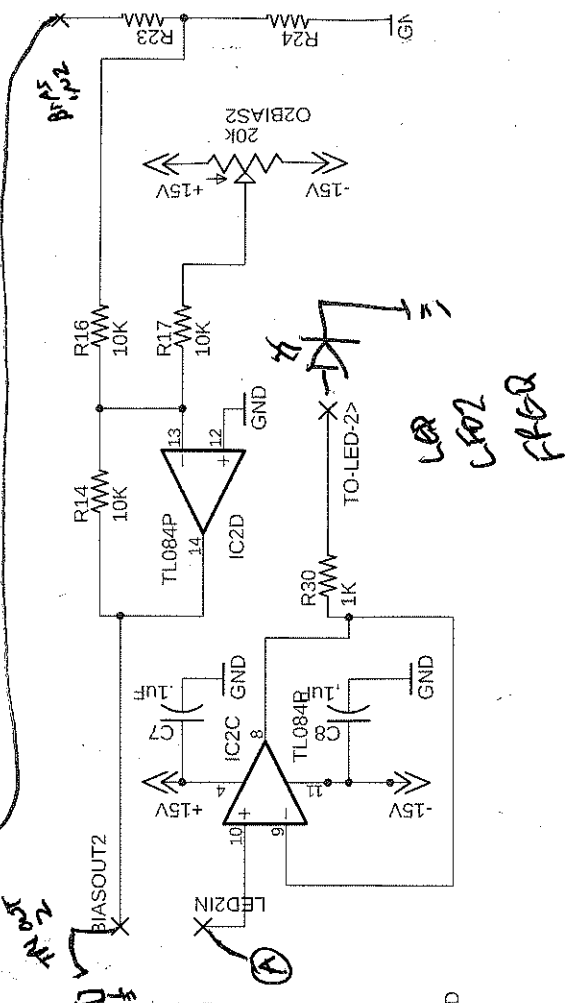
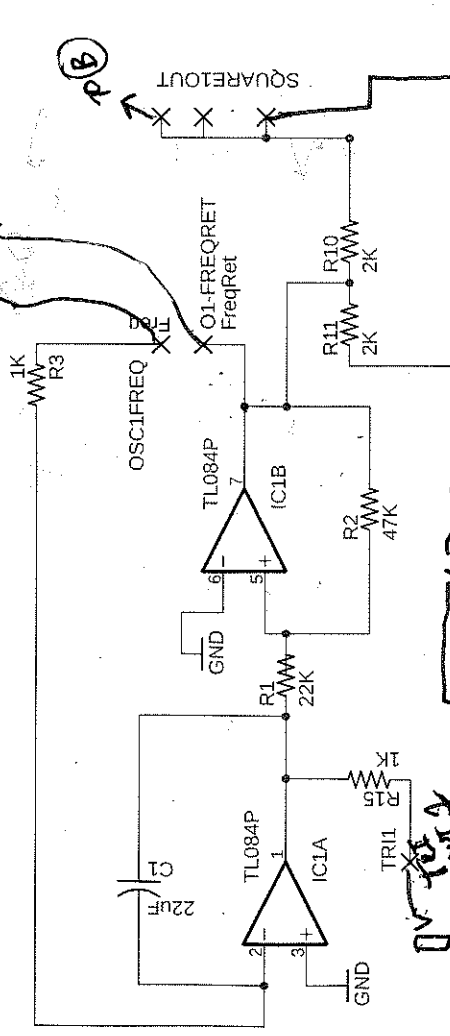
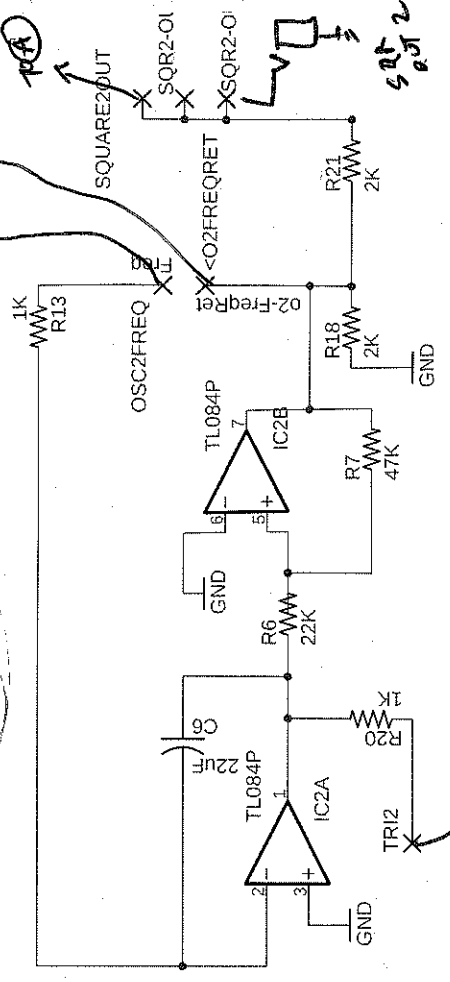


MINI-LFO
REV3
WIRING

EPER 1
100F LIN

FPGA2
100F LIN



BIASOUT1
100F

LED
100F
FPGA2

LED
100F
FPGA2